



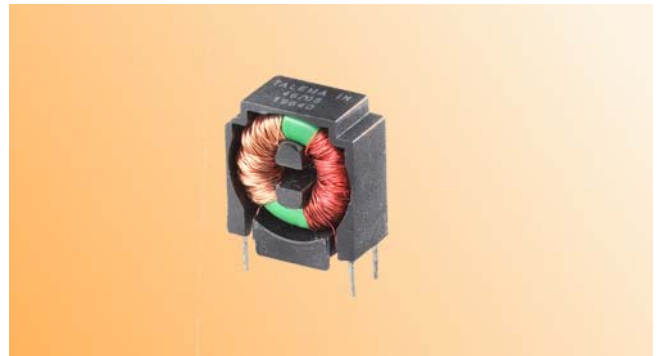
CKV Series • Current Compensated Double Chokes for Power Lines

Features

- High attenuation over a wide frequency range
- Low interwinding and coupling capacitance
- Sector Winding
- Manufactured in an ISO-9001:2000, TS-16949:2002 and ISO-14001:2004 certified Talema facility
- Flame retardant case per UL94V-O
- Other inductance values available upon request
- fully RoHS compliant

Electrical Specifications @ 25°C

Rated Voltage: 250Vac
 Rated current @ 50/60Hz and 40°C ambient
 Operating Temperature: -40° to +85°C
 Storage Temperature: -40° to +125°C
 Climatic category: according to IEC68-1 40/85/56

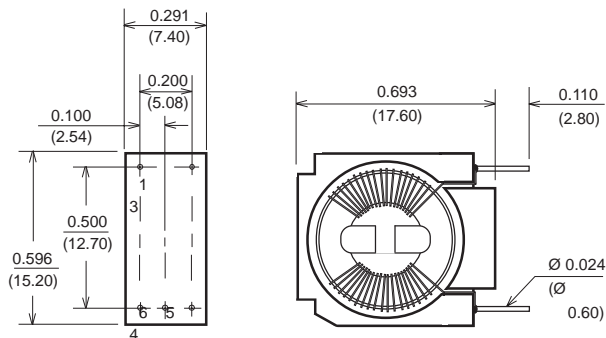


Test voltage: 1500 Vac, 2s line to line
 Test Equipment: HP4192A

Weight: ~ 3 grams

CKV Series - Current Compensated Double Chokes for Power Lines

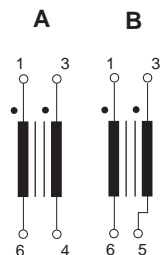
Part Number	L_N (μ H) -30/+50%	I_N (mA)	L_L (μ H)	R_{CU} (mOhms)	V_P (Vrms)	Windings per Core	Schematic
CKV-4.7-S	4700	700	70	440	1500	2	A or B
CKV-6.8-S	6800	600	100	630	1500	2	A or B
CKV-10-S	10000	500	150	1000	1500	2	A or B
CKV-15-S	15000	400	225	1350	1500	2	A or B
CKV-30-S	30000	300	400	2200	1500	2	A or B
CKV-47-S	47000	250	750	2400	1500	2	A or B



TALEMA IN
 Part Nr.
 Wk/Yr

Dimensions: Inches (Millimeters)
 Tolerance: ± 0.010 (0.25) unless specified otherwise

Schematic



Note: Normal pinning will be 1-3-4-6 Schematic A. If pinning 1-3-5-6 is required, Schematic B should be specified when ordering.

Impedance Performance Sector Winding

